

Digital Twin Timer

MANUAL

SESTOS™
Model: B2E

■ Features

- DIN(48X48mm) Digital timer
- 0.01s-99h99m time range with twin time set value individual, output for A, B period
- One shot or cycle time mode, up or down mode available.
- MCU for digital control, High accuracy and reliability
- 0.39" height LED, prevent dazzle panel, highly visible display
- NPN and PNP input switchable
- Tact switch for up or down set value, easily operate
- Key lock function, prevent mistake operation
- Switching power supply and low consumption



※Thank you very much for selecting **SESTOS** products, Please read and understand this MANUAL before using this unit.

■ Safety Precautions

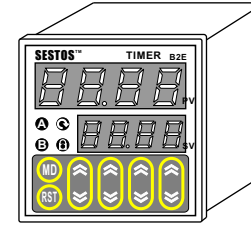
- ⚠ This product must be mounted on the panel, avoid electric shock.
- ⚠ When the power is turned on, is not connecting the terminal, avoid electric shock.

- Ensure the product within the specification.
- Never disassemble, repair or modify the product, if needed please contact agent or us
- Do not use the product in locations subject to gases, dust, vibration, corrosive direct sunlight, water and oil, strong EMI

■ Specification

- Power and input: The power supply and input circuit are isolated.
- Voltage(Ordering): AC 100-240V ±10% 50/60Hz ≤5VA
AC/DC 12-24V ±10% ≤4VA
- Timer range: 0.01s-99h99m time range with twin time set value individual, UP or DOWN Mode output for A, B period
- Character : PV: 4 digital 9.9mm height, high light red LED
SV: 4 digital 8.0mm height, high light green LED
- Contact output: AC 250V 3A(Resistive load) A: NO/NC B: NO
- Life expectancy: Mechanical: 10,000,000 operations min.
Electrical: 100,000 operations min.
- Accuracy: 0.1% ±0.05s
- Control signals: ≥5ms (Reset, Gate)
- Control type: Contact/No-voltage input(NPN), Voltage (PNP)
- External power: DC 12V/50mA(Max.) for sensor use only.
- Start timing: ≥100ms
- Reset method: Power on/External/Manual
- Cutout size: 45X45 mm
- Mounting Method: Flush mounting and screw terminals
- Weight: Approx.130g
- Ambient temperature: Operating: -10~55°C (with no icing or condensation)
Storage: -25~65°C (with no icing or condensation)
- Ambient humidity: 35~85% RH

■ Nomenclature



MD :Mode
RST :Reset
≈ :Up
≈ :Down
PV :Present Value
SV :Set Value

Indicator:

- Ⓐ : A period Output
- Ⓑ : B period Output
- Ⓒ : Light--Reset; Blink--Pause
- Ⓓ : Key Lock

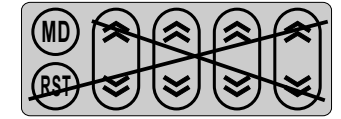
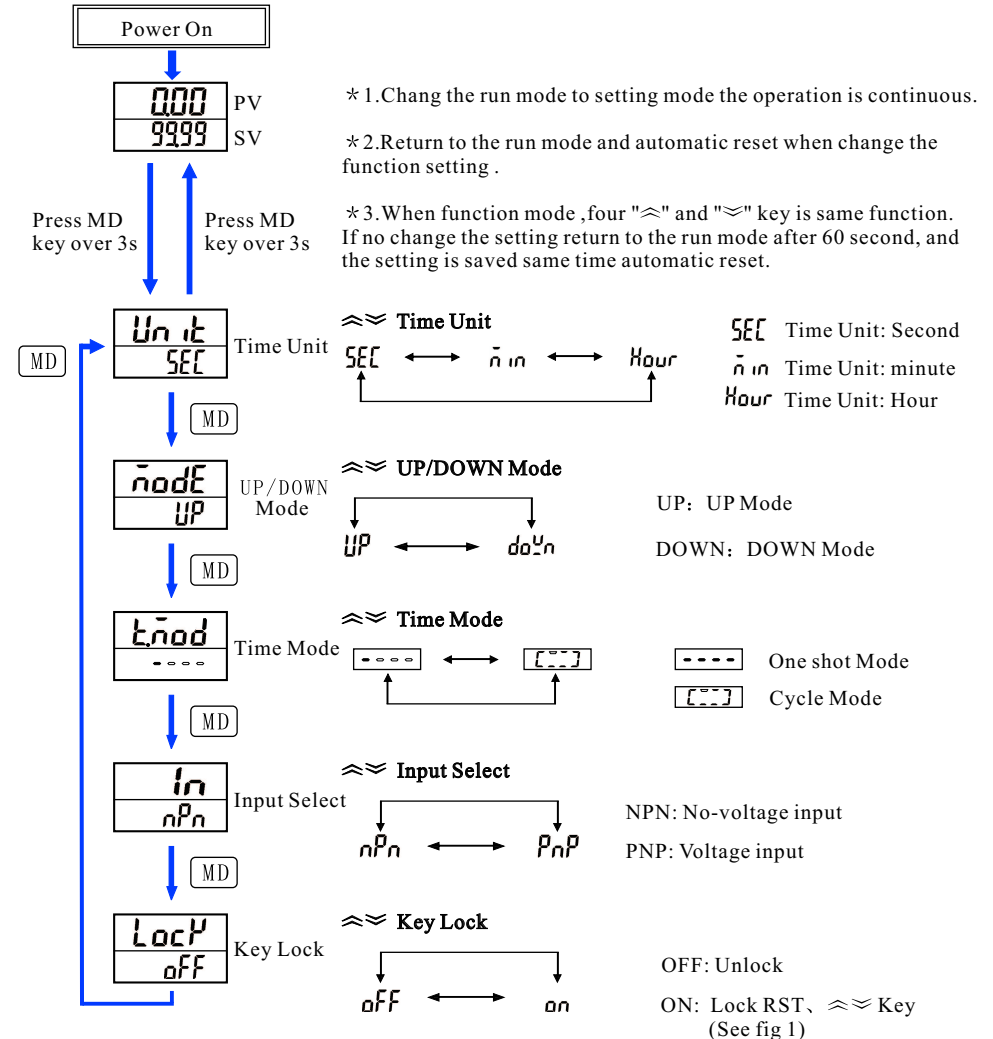
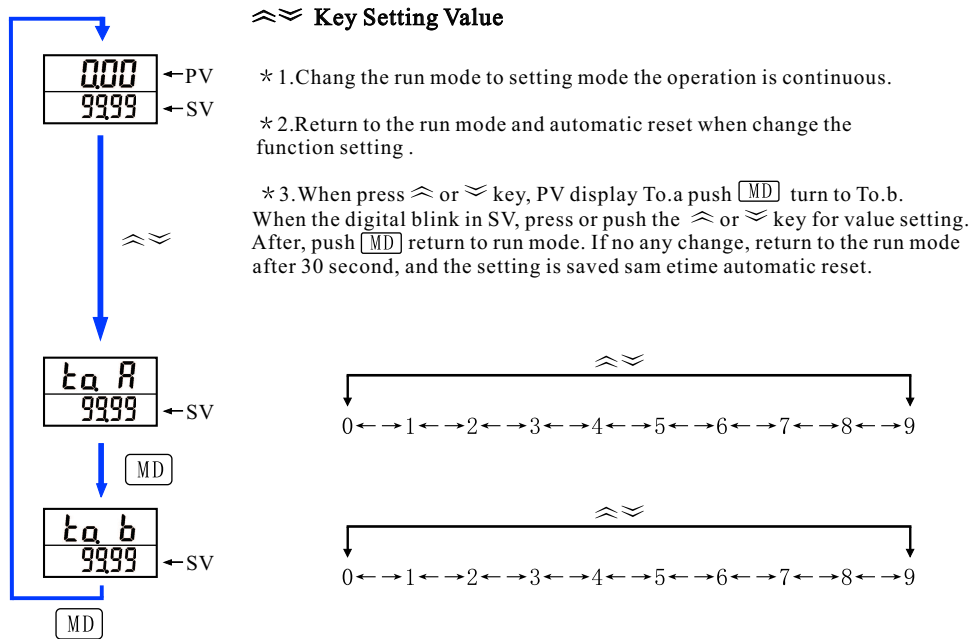


fig 1

■ Setting

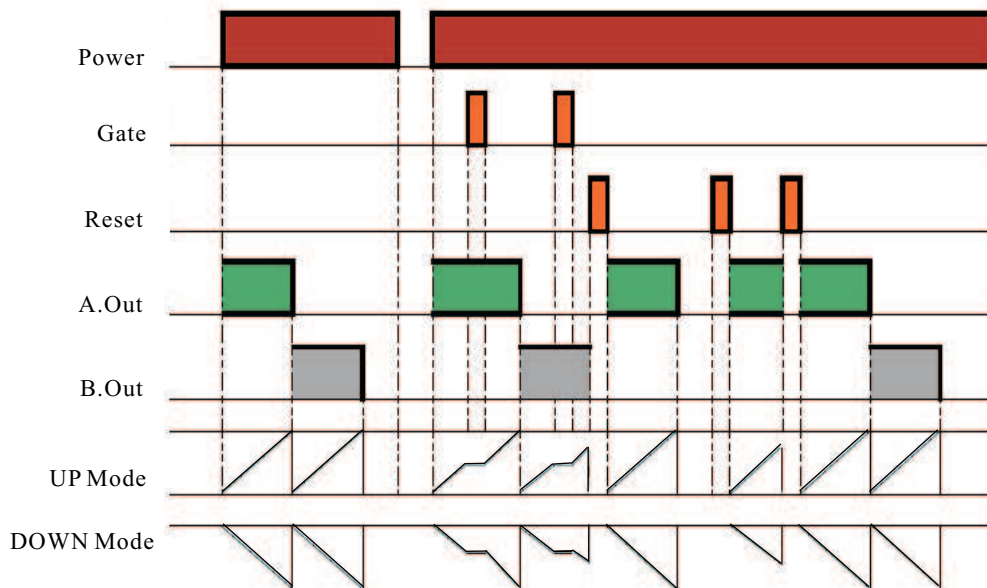


Run Mode

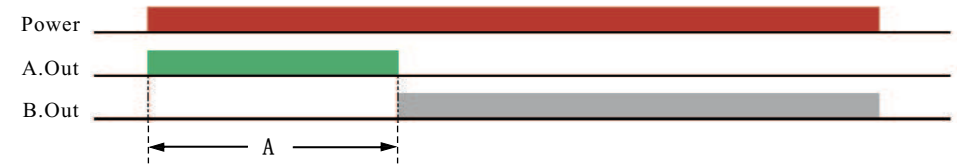


Note: When Time Mode is one shot Mode, to.b is disabled.

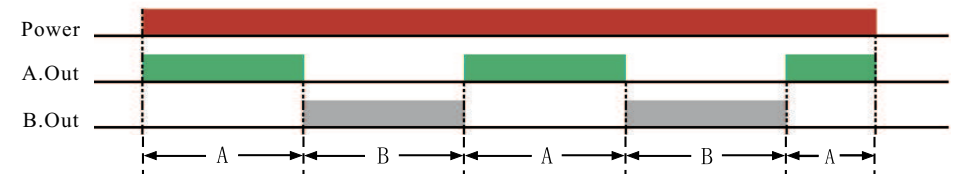
Operation Charts



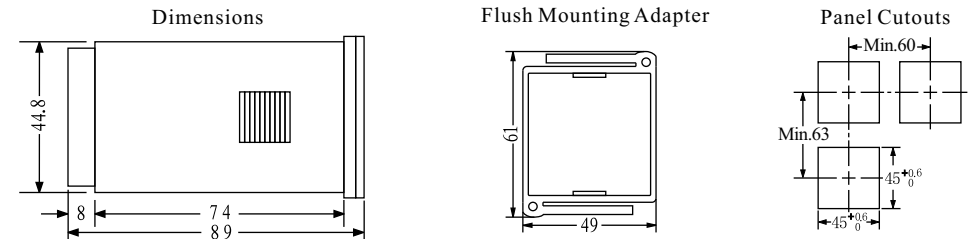
One shot Mode: A output when power on, B output when time up.



Cycle Mode: A output when power on, B output when A time up. When B time up, repeat A operate.



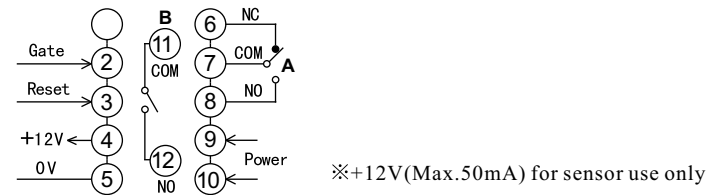
Dimensions with Flush Mounting Adapter



※All units are in millimeters unless otherwise indicated.

※Flush mounting adapter: YX-Y1 (Provided)

Terminal Arrangement



Precautions

- Separate the input signal cables from the power line.
- Short connecting wire from the sensor to the product is the best, if not please using shield cable.
- Use and store the product within the ratings specified for temperature and humidity
- The period of power off to on must be over 1 s, Suggestion use terminal for reset

※Specifications and design subject to modifications without notice

SESTOS (H.K.) ELECTRONICS CO.

<http://www.sestos-hk.com>

E-mail: sestos@sestos-hk.com

MN-B2E-EN