

4 Digital Preset Scale Counter

SESTOS™

MANUAL

Model: C2S

■ Features

- DIN(48X48mm) Digital counter
- Range 1 - 9999 with UP/DOWN mode, Max.5kpcs
- Preset scale range:0.001-9.999, preset scale count function
- MCU for digital control, High accuracy and reliability
- EEPROM store data for 10 years
- NPN and PNP input switchable
- 0.39" height LED, prevent dazzle, highly visible display
- Tact switch for up or down set value, easily operate
- Key lock function, prevent mistake operation
- Switching power supply and low consumption



※Thank you very much for selecting SESTOS products, Please read and understand this MANUAL before using this unit.

■ Safety Precautions

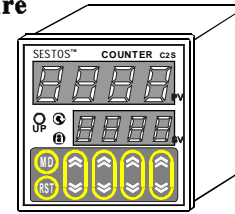
- ⚠ This product must be mounted on the panel, avoid electric shock.
- ⚠ When the power is turned on, is not connecting the terminal, avoid electric shock.

- Ensure the product within the specification.
- Never disassemble, repair or modify the product, if needed please contact agent or us
- Do not use the product in locations subject to gases, dust, vibration, corrosive direct sunlight, water and oil, strong EMI

■ Specification

- Power and input: The power supply and input circuit are isolated.
- Voltage(Ordering): AC 100-240V ±10% 50/60Hz ≤5VA
AC/DC 12-24V ±10% ≤4VA
- Character : PV: 4 digital 9.9mm height, high light red LED
SV: 4 digital 8.0mm height, high light green LED
- Contact output(C2S-R): AC 250V 3A(Resistive load) NO/NC
- SSR output(C2S-V): DC12V(Max.40mA)
- Life expectancy: Mechanical: 10,000,000 operations min.
Electrical: 100,000 operations min.
- Max.counting speed: 5kpcs(Rate 1:1), ≤100Hz set L, ≥100Hz-5KHz set H
- Preset scale range: 0.001-9.999
- Data backup: 10 years,Data can be store or not by setting
- Control signals: ≥5ms (Reset, Gate)
- Control/Input type: Contact/No-voltage input(NPN)/Voltage input(PNP)
- Input level: High(logic) 4.5 to 30 VDC
Low(logic) 0 to 2.0 VDC
- External power: DC 12V/50mA(Max.) for sensor use only.
- Start timing: ≥100ms
- Reset method: Power on/External/Manual
- Cutout size: 45X45 mm
- Mounting Method: Flush mounting and screw terminals
- Weight: Approx. 120g
- Ambient temperature: Operating: -10~55°C (with no icing or condensation)
Storage: -25~65°C (with no icing or condensation)
- Ambient humidity: 35~85% RH

■ Nomenclature



MD :Mode
RST :Reset
≡ :Up
≡ :Down
PV :Present Value
SV :Set Value

Indicator:
UP: Output
⊙ : Light--Reset; Blink--Pause
⊙ : Key Lock

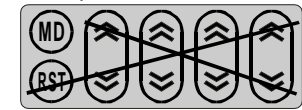
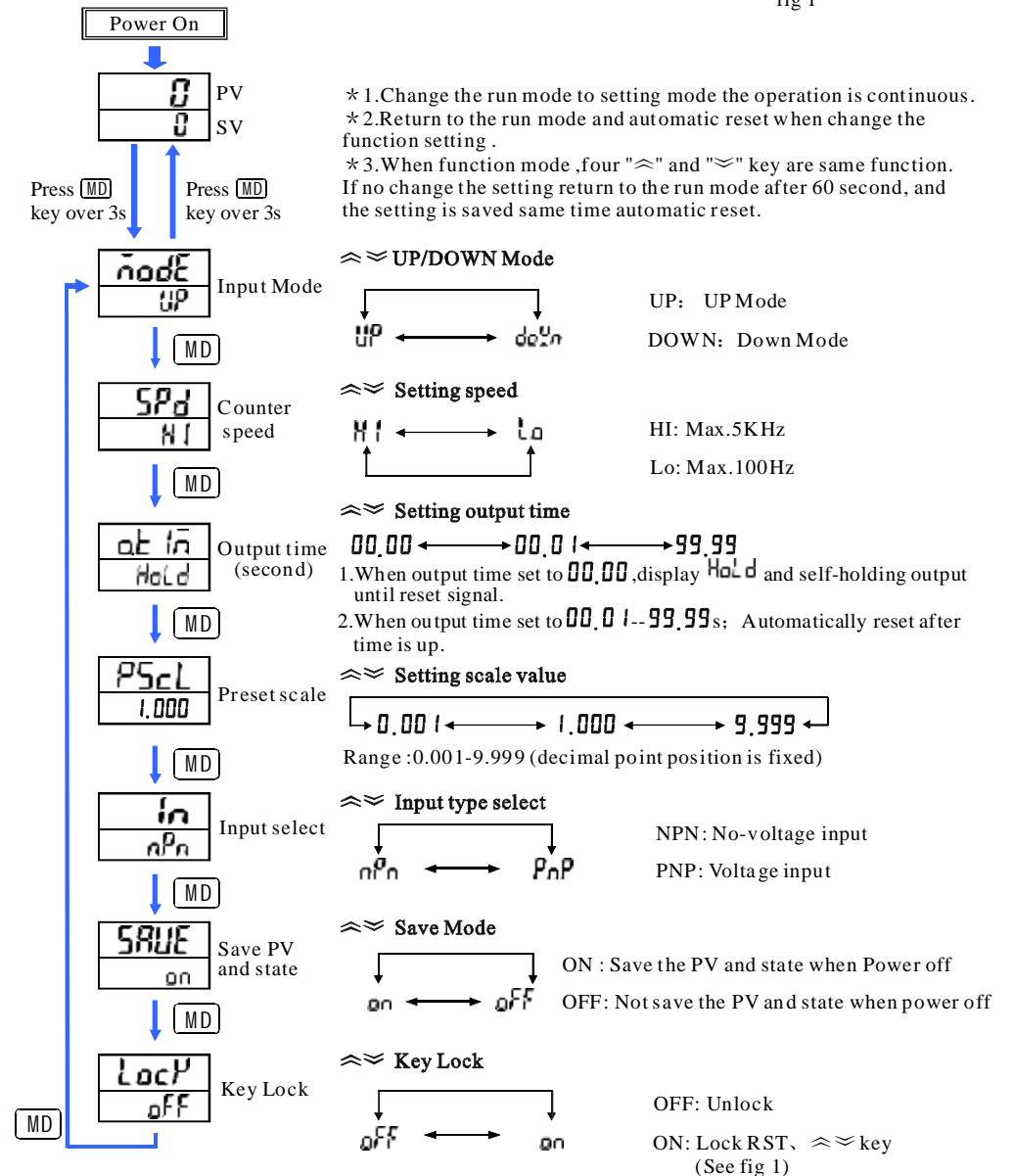
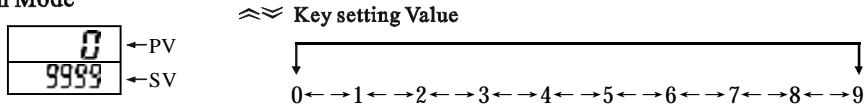


fig 1

■ Setting



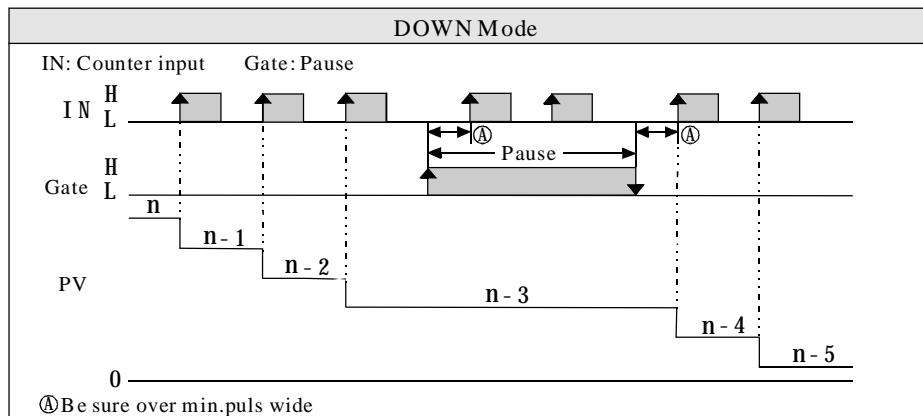
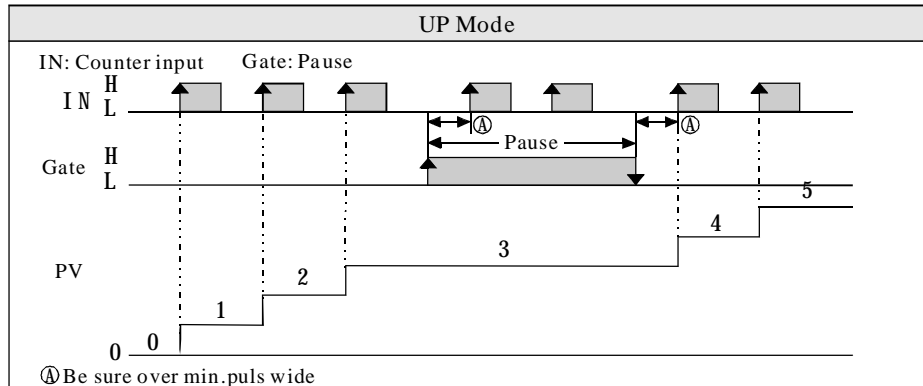
Run Mode



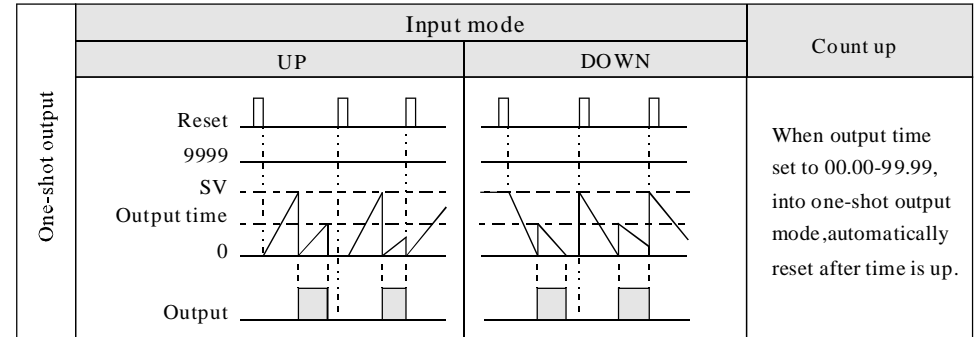
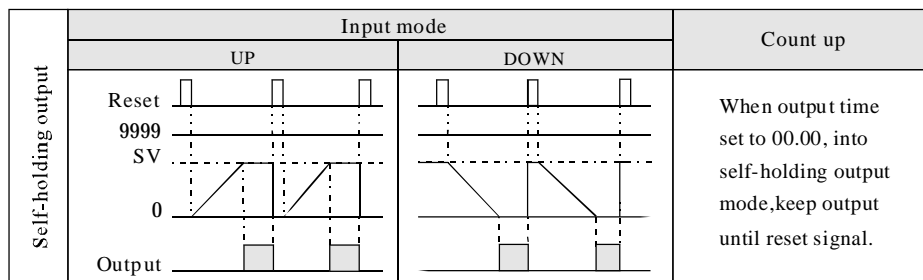
When press \approx or \cong key, the blink in SV. Press or push the \approx or \cong key for value setting.
After, push [MD] return to run mode. If no change, return to the run mode after 30 second, and the setting is saved same time automatic reset.

Operation Charts

Input and count charts

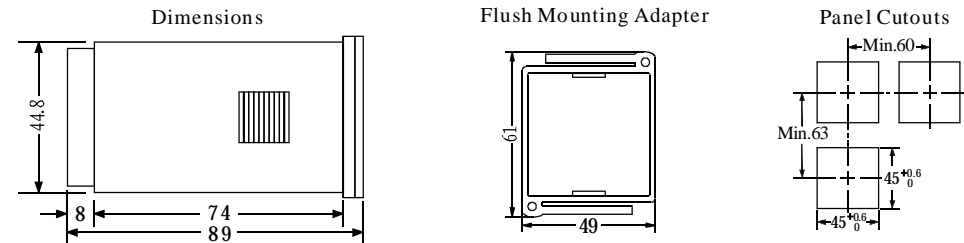


Input and output charts



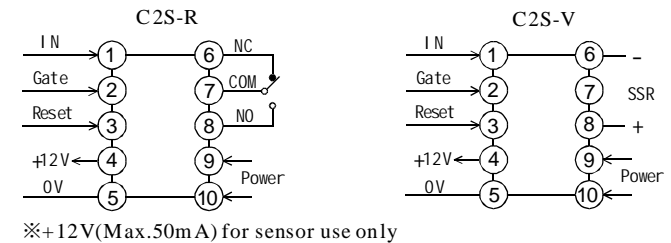
Remark: 1.PV=PScl X Input pulse
2.If SV=0, as a total counter be used.

Dimensions with Flush Mounting Adapter



※All units are in millimeters unless otherwise indicated.
※Flush mounting adapter: YX-Y1 (Provided)

Terminal Arrangement



Precautions

- Separate the input signal cables from the power line.
- Short connecting wire from the sensor to the product is the best, if not please using shield cable.
- Use and store the product within the ratings specified for temperature and humidity
- The period of power off to on must be over 1 s, Suggestion use terminal for reset

※Specifications and design subject to modifications without notice

SESTOS (H.K.) ELECTRONICS CO.

<http://www.sestos-hk.com>

E-mail:sestos@sestos-hk.com

MN-C2S-EN