

6 Digital Preset Scale Counter

MANUAL

Model: C3E

■ Features

- DIN(48X48mm) Digital counter
- Range 1 - 999999 with UP/DOWN mode, Max.10kpcs
- Preset scale range:0.001-99.999, preset scale count function
- MCU for digital control, High accuracy and reliability
- EEPROM store data for 10 years
- NPN and PNP input switchable
- 9.2mm height LED, prevent dazzle, highly visible display
- Tact switch for up or down set value, easily operate
- Key lock function, prevent mistake operation
- Switching power supply and low consumption

※Thank you very much for selecting SESTOS products, Please read and understand this MANUAL before using this unit.

■ Safety Precautions

- ⚠ This product must be mounted on the panel, a void electric shock.
- ⚠ When the power is turned on, is not connecting the terminal, avoid electric shock.
- Ensure the product within the specification.
- Never disassemble, repair or modify the product, if needed please contact agent or us
- Do not use the product in locations subject to gases, dust, vibration, corrosive direct sunlight, water and oil, strong EMI

■ Specification

- Power and input: The power supply and input circuit are isolated.
- Voltage(Ordering): AC 100-240V ±10% 50/60Hz ≤5VA
AC/DC 12-24V ±10% ≤4VA
- Character : PV: 6 digital 9.2mm height, high light red LED
SV: 6 digital 7.0mm height, high light green LED
- Contact output(C3E-R): AC 250V 3A(Resistive load) NO/NC
- SSR output(C3E-V): DC12V(Max.40mA)
- Life expectancy: Mechanical: 10,000,000 operations min.
Electrical: 100,000 operations min.
- Max. counting speed: 10kpcs(Rate 1:1), 100Hz, 5KHz, 10KHz
- Preset scale range: 0.001-99.999
- Data backup: 10 years, Data can be store or not by setting
- Control signals: ≥5ms (Reset, Gate)
- Control/Input type: Contact/No-voltage input(NPN)/ Voltage input(PNP)
- Input level: High(logic) 4.5 to 30 VDC
Low(logic) 0 to 2.0 VDC
- External power: DC 12V/50mA(Max.) for sensor use only.
- Start timing: ≥100ms
- Reset method: Power on/External/Manual
- Reset method: 45X45 mm
- Cut out size: Flush mounting and screw terminals
- Mounting Method: Approx. 120g
- Weight: Operating: -10~55°C (with no icing or condensation)
- Ambient temperature: Storage: -25~65°C (with no icing or condensation)
- Ambient humidity: 35~85% RH

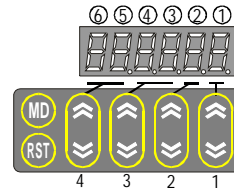
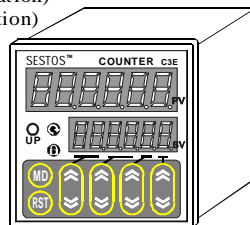
■ Nomenclature

- MD: Mode
- RST: Reset
- ⤴: Up
- ⤵: Down
- PV: Present Value
- SV: Set Value

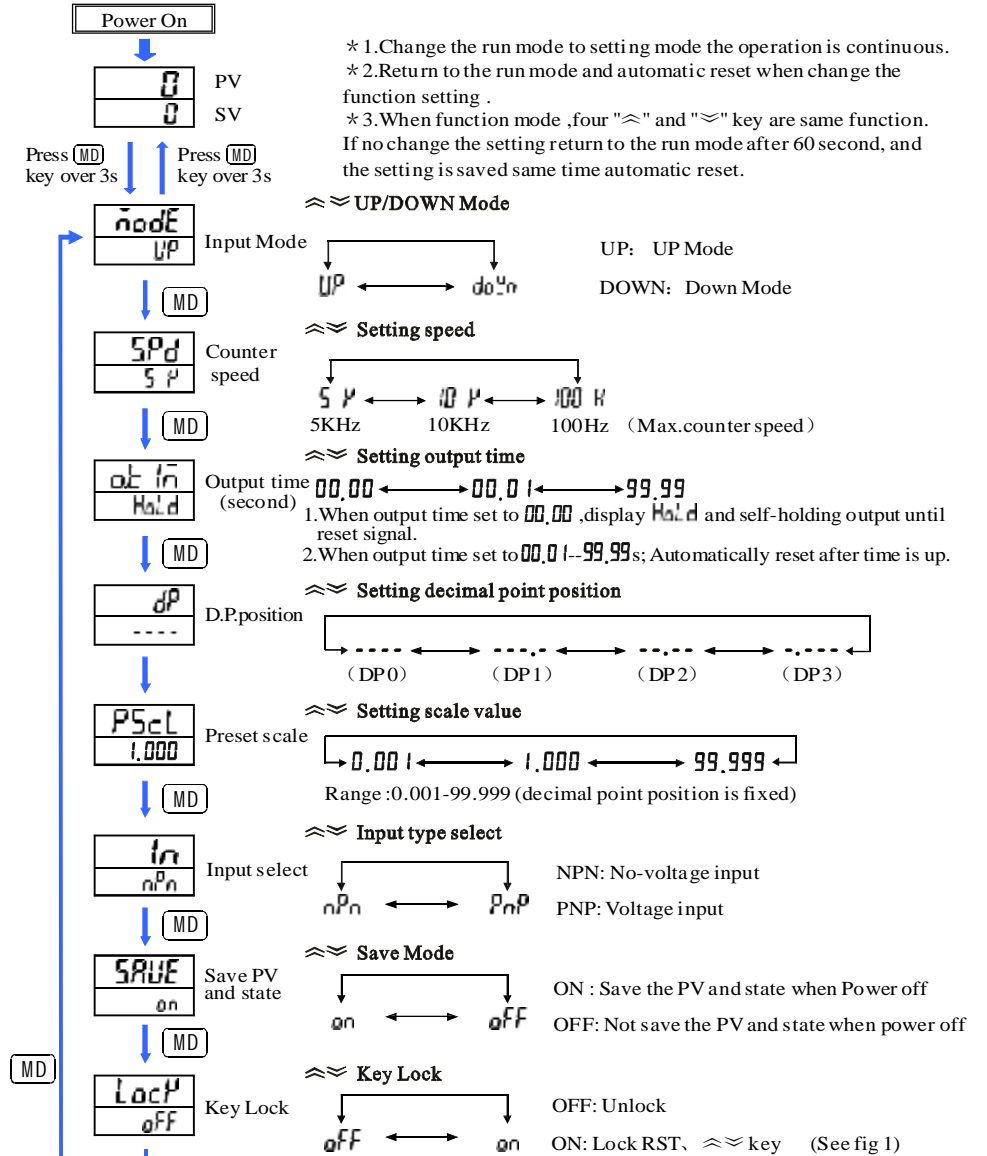
Indicator:
UP: Output
Ⓛ: Light--Reset; Blink--Pause
Ⓚ: Key Lock



Fig 1



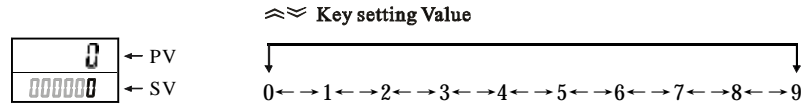
■ Setting



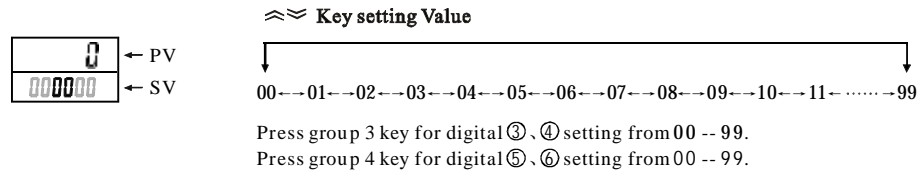
Run Mode

When press \approx or \approx key, the blink in SV. Press or push the \approx or \approx key for value setting.
After, push MD return to run mode. If no any change, return to the run mode after 30 second, and the setting is saved same time automatic reset.

Digital ①、② setting method

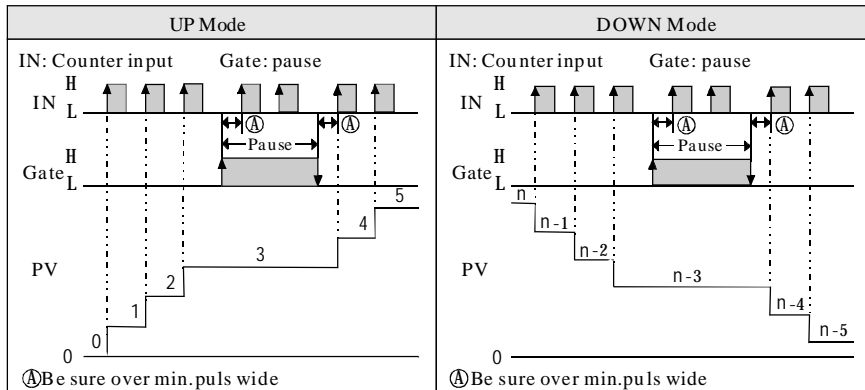


Digital ③、④、⑤、⑥ setting method

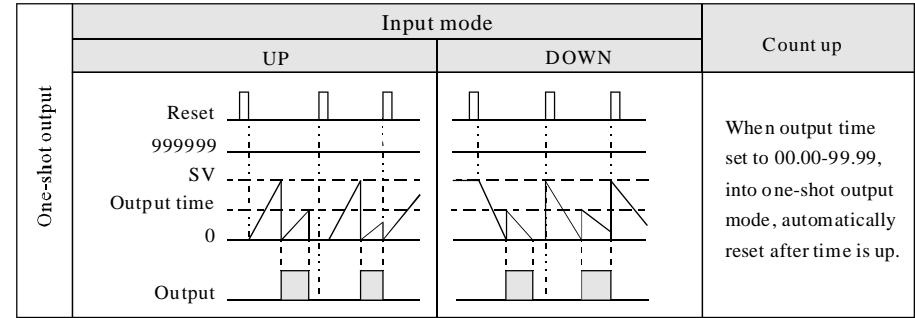
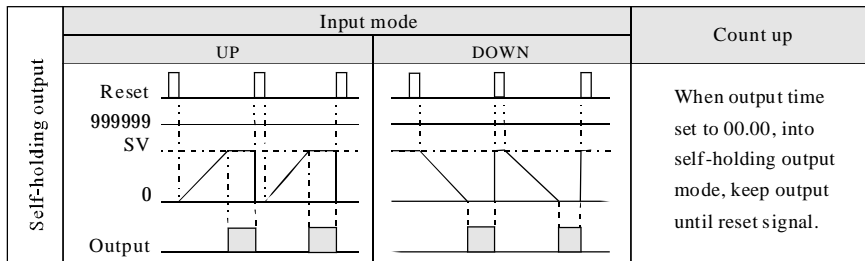


Operation Charts

Input and count charts

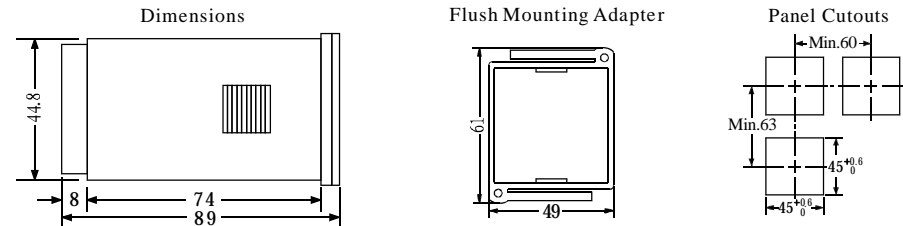


Input and output charts



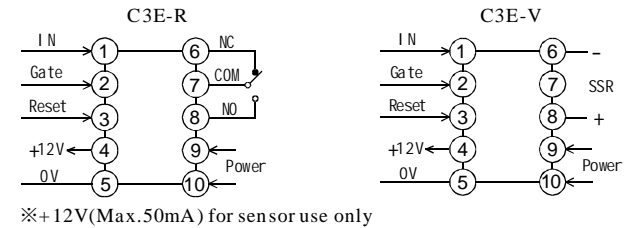
Remark: 1.PV=PScl X Input pulse
2.If SV=0,as a total counter be used.

Dimensions with Flush Mounting Adapter



※All units are in millimeters unless otherwise indicated.
※Flush mounting adapter: YX-Y1 (Provided)

Terminal Arrangement



Precautions

- Separate the input signal cables from the power line.
- Short connecting wire from the sensor to the product is the best, if not please using shield cable.
- Use and store the product within the ratings specified for temperature and humidity
- The period of power off to on must be over 1 s, Suggestion use terminal for reset

※Specifications and design subject to modifications without notice

SESTOS (H.K.) ELECTRONICS CO.

<http://www.sestos-hk.com>

E-mail: sestos@sestos-hk.com

MN-C3E-EN